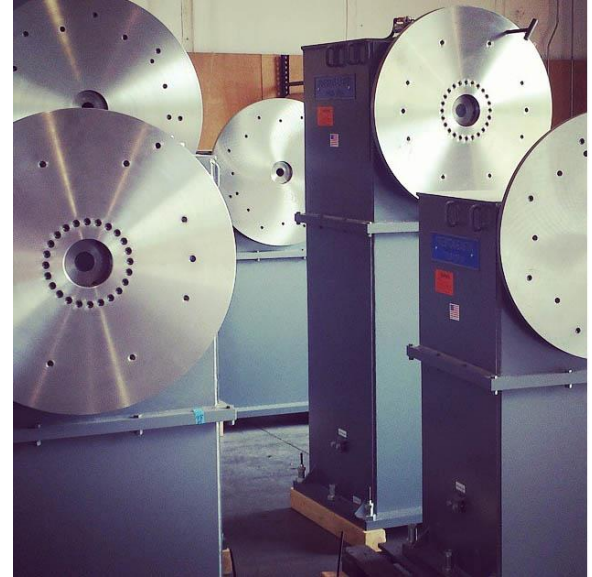


What We Will Cover:

- Who is PrestonEastin?
- Who Do We Help?
- Can We Help You?
- What Can We Build For You?

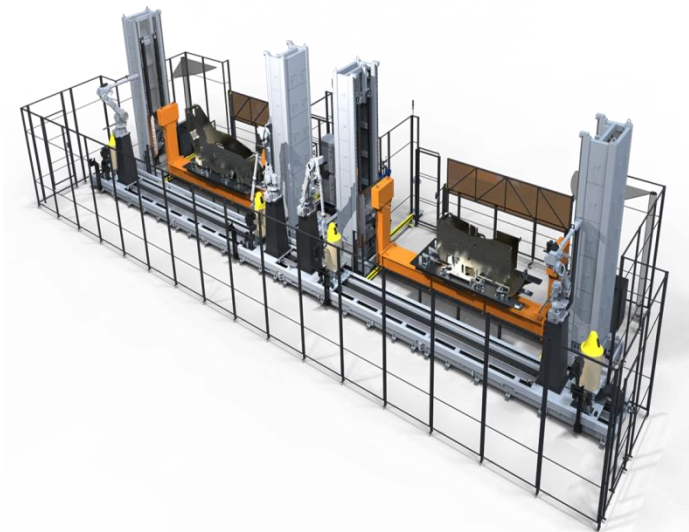


Who is PrestonEastin?

PrestonEastin is *the* positioning solution provider. We help to position and transport products for increased productivity and safer work environments.

We Help:

- Manufacturers
- Robotic Integrators and OEM's
- Distributors of Welding Equipment



Why PrestonEastin?

Customers turn to us when subject matter experts are needed.

We want to fully understand and overcome your pain points. These could include:

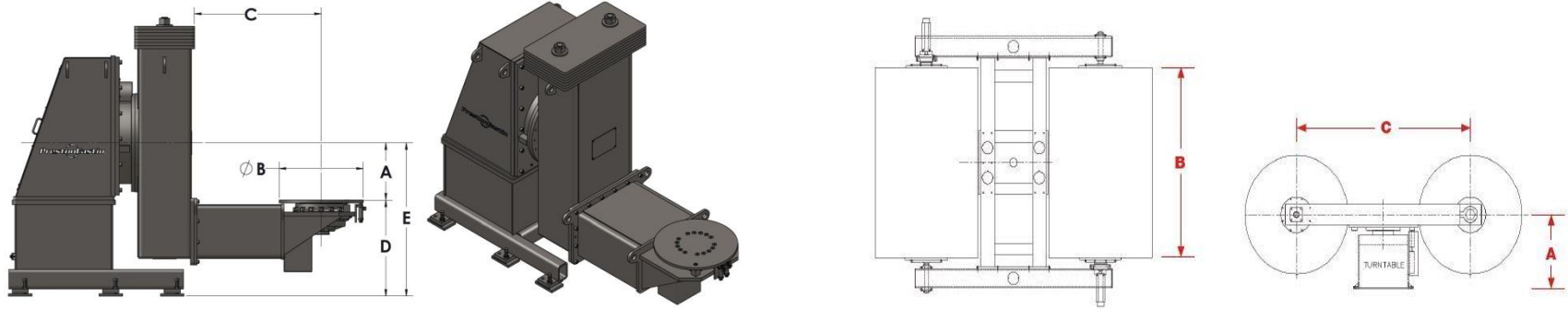
- Need for Increased Throughput
- Controlling Manufacturing Costs
- Excessive Downtime
- Safety
- Repetitive Quality
- Offshore Delivery Times



Why PrestonEastin?

We then dive in to development of an efficient, cost effective, quality positioning system to integrate into larger systems, robotics, or factory floors.

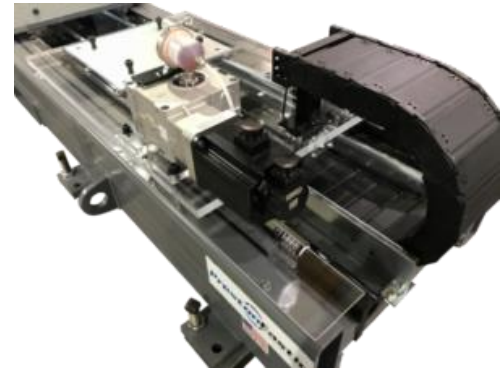
This “customer obsessed” process allows for greater awareness of expectations and proposed outcomes. We strive to create strong partnerships; we are easy to do business with, and want to share in mutual successes.



Why PrestonEastin?

PrestonEastin offers a complete line of powered and servo driven robotic positioning systems and equipment. We custom design and build:

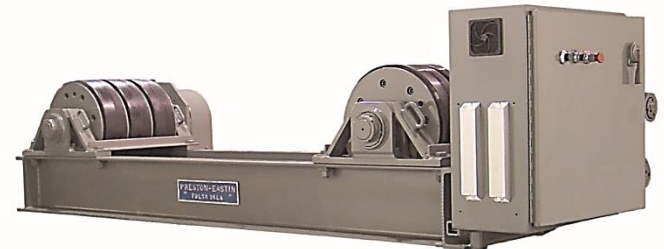
- Traversing Units
- Turntables
- Tilt-Rotate Tables (2-Axis and 5-Axis)
- Headstocks and Tailstocks
- Skyhooks
- Drop-Centers
- H-Frames
- Ferris-Wheels



Why PrestonEastin?

PrestonEastin also offers a complete line of manual and powered positioning systems and equipment within our Standard Products:

- 2 Axis Positioners
- Welding Floor Turntables
- Headstocks and Tailstocks
- Manipulators
- Side beam Carriages
- Turning Rolls
- 3-Jaw Chucks



Key Contacts:

Rob Nock

President & CEO

rnock@prestoneastin.com

David Gentry

Vice President, Sales and Marketing

dgentry@prestoneastin.com

Steven Bostic

Director, Robotic Solutions

sbostic@prestoneastin.com



9490 North Ridgeway St

Tulsa, OK 74131

(918) 834-5591

www.prestoneastin.com



Certificate No. 8000