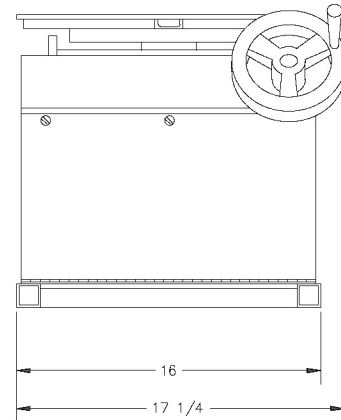
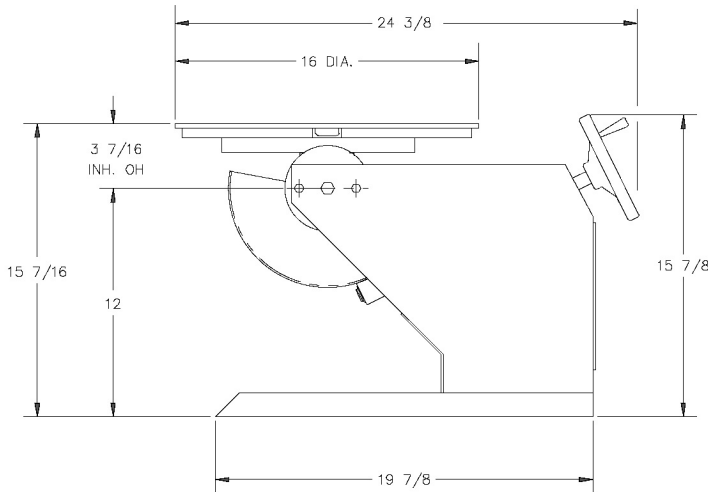


PRESTON-EASTIN

Positioners For Productivity Since 1972.



Preston-Eastin introduces
the PA-2 MT



For more information please
contact us or visit our website

Preston-Eastin, Inc. - Tulsa, OK
Phone: 918.834.5591
Fax: 918.834.5595
www.prestoneastin.com



Product Data – Positioners**Preston-Eastin Model PA-2 MT****Capacity**

- Weight: 250 pounds
- Offset of C.G. from table: 2 inches
- Eccentricity of C.G. from axis: 2 inches

Rotation

- Motor: Variable speed DC, 1/8 horsepower
- Rotational torque: 500 inch-pounds
- Speed range: 0.3 to 7.8 rpm
- Speed accuracy: 3% of base speed
- Safety: Drive reducer is self-locking

Tilt

- Range: 135 degrees forward tilt
- Tilt torque: Manual
- Actuation: 6 inch hand wheel with self-locking worm drive

Table:

- Diameter: 16 inch round with four radial T-slots
- Mounting bolt size: 3/8 inch
- Bearings: Timken tapered roller bearings
- Ground: 600 amp spring-loaded mechanical ground

Controls

- Control panel: Panel built-in to positioner frame
- Speed control: One-turn potentiometer
- Directional control: Two-position selector switch
- Power: 115V, 2A, single phase, 60 hertz.
- Overload protection: Fuse
- Foot switch: Remote start/stop with 6 foot cable

Weight

- Shipping weight: 125 pounds